

Universal Receiver

Programming Guide

Technical Features

The Universal Receiver by Auto Openers allows you to easily utilize over 30 brands of remote controls from the one unit, via a simple dipswitch selection process. As a dual channel receiver, the Universal Receiver can wire into two different garage door or gate openers at the same time, with over 100 remote controls programmed into the unit at a time.

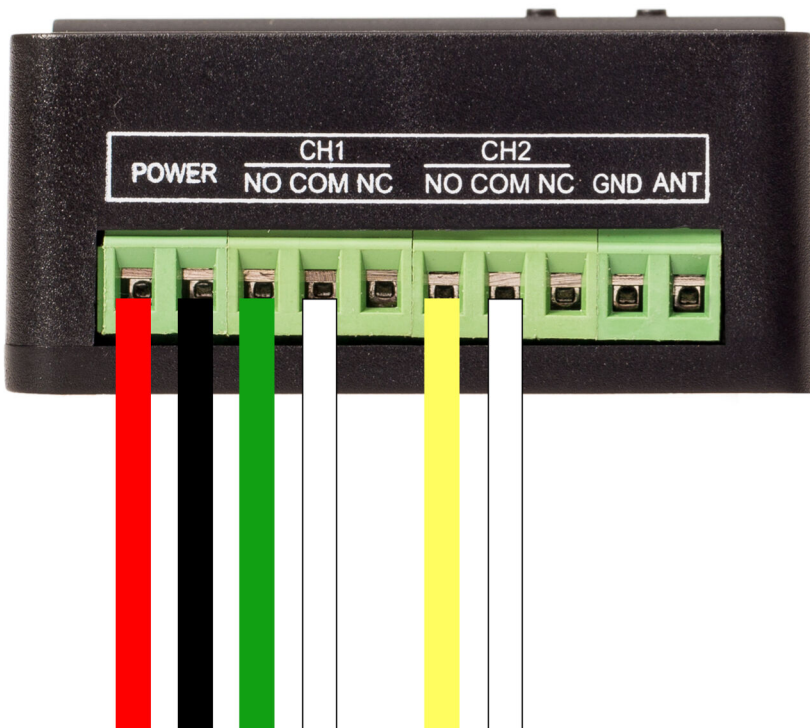
Remote Coding Method

- 1 Press and release the SW1 or SW2 button. The green or blue LED coding light will illuminate.
- 2 Press and hold the desired button on your remote control, until the coding light begins to flash. Let go of the button.
- 3 Press and hold the same button on your remote control. The coding light will go solid and the receiver will click, signalling the remote control has been programmed into the motor.
- 4 Test the operation of your new remote control. Each time you press a button on the remote control the receiver will click to show it is receiving the code.

Clearing All Remote Controls

- 1 Press and hold the SW11 or SW2 button for ten seconds.
- 2 Release the SW1 or SW2 button. Test that your remote control no longer operates the receiver.

- Please note, this will clear every remote programmed into the receiver



Wiring Key for This Manual

White = Common

Yellow = Channel 2

Green = Channel 1

Red = Positive

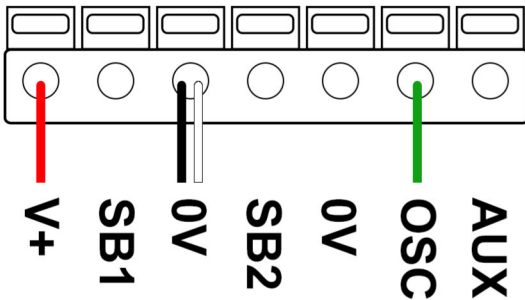
Black = Negative

Universal Receiver

Wiring Guide

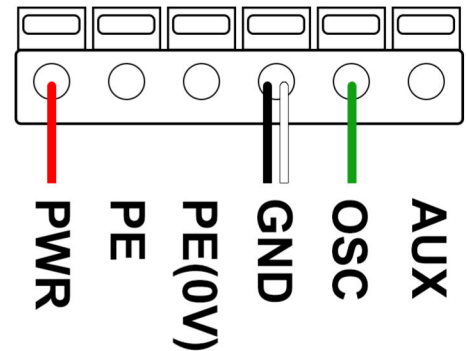
ATA GDO-6

Terminal block located on the circuit board, bottom left.



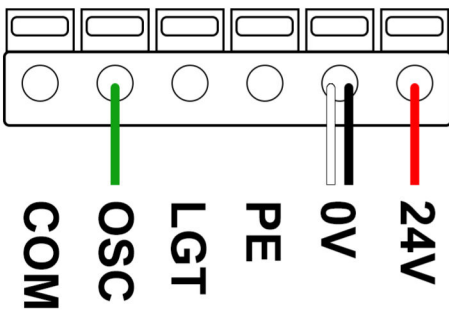
ATA GDO-9v2 / v3

Terminal block located on the circuit board, top left.



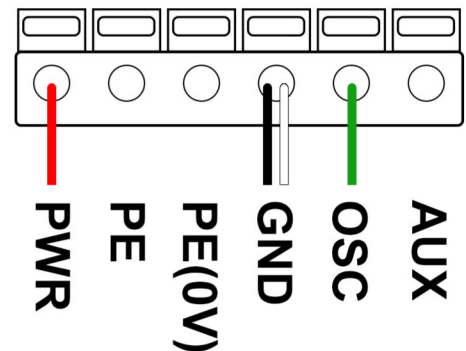
ATA GDO-7

Terminal block located on the rear of the motor, bottom left corner.



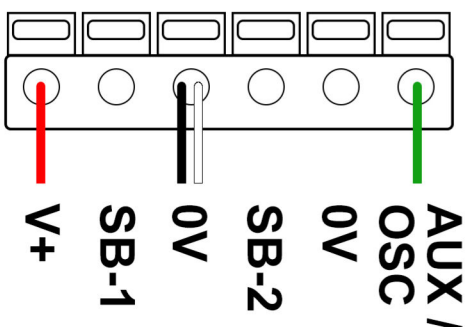
ATA GDO-11 (old labelling)

Terminal block located on the rear of the motor, bottom left corner.



ATA GDO-11 (new labelling)

Terminal block located on the rear of the motor, bottom left corner.

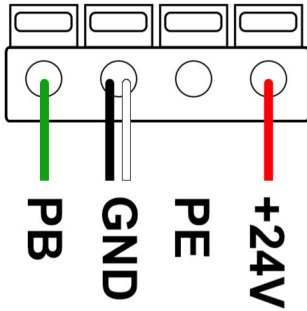


Universal Receiver

Wiring Guide

Doormaster / RM600

Terminal block located on the bottom right hand corner of motor

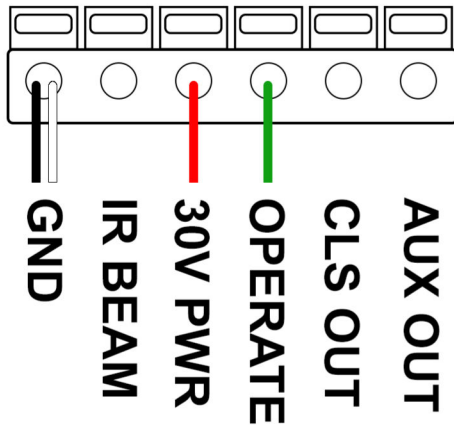


Universal Receiver

Wiring Guide

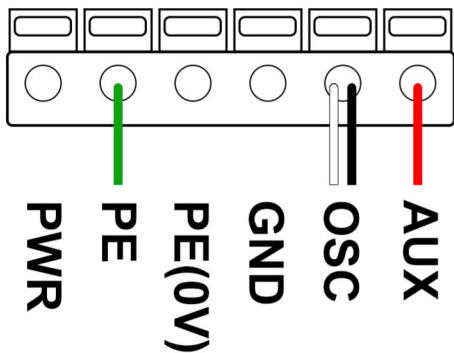
B&D CADPD (RDO-1v1)

Terminal block located on the circuit board, bottom left.



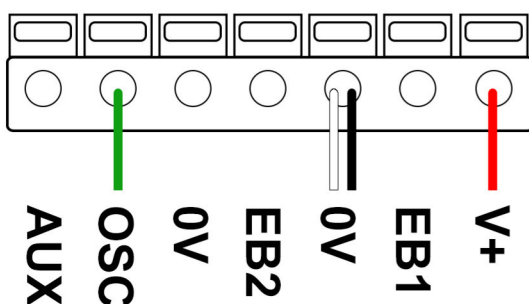
B&D CADS (SDO3v1)

Terminal block located on the rear of the motor, bottom left corner.



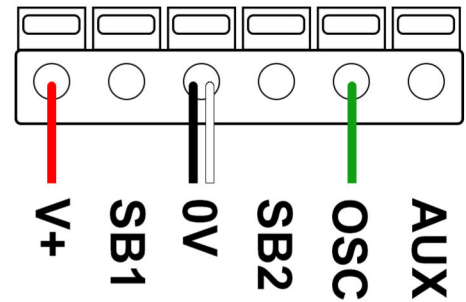
B&D CAD Advance (SDO2v2)

Terminal block located on the circuit board, left side.



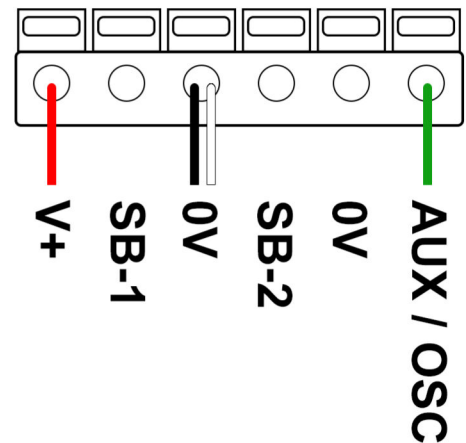
B&D CADPD (RDO1v4 - Current)

Terminal block located on the circuit board, top left.



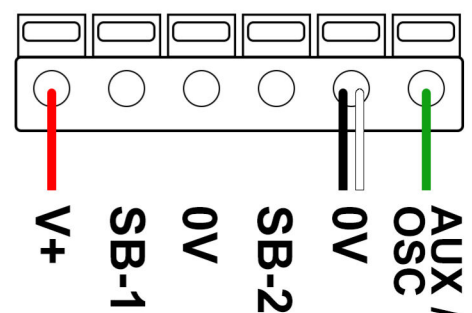
B&D CADS (SDO3v2 - Current)

Terminal block located on the rear of the motor, bottom left corner.



B&D PanelPro (SDO4v1)

Terminal block located on the rear of the motor, bottom left corner.

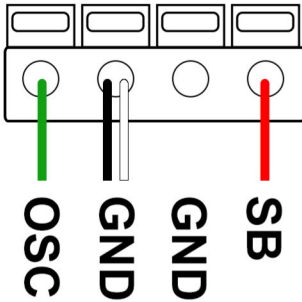


Universal Receiver

Wiring Guide

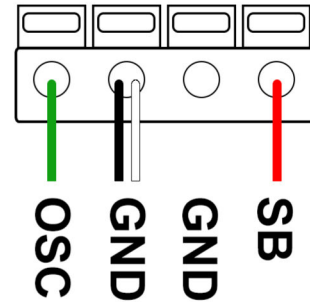
B&D Secure (SDO6)

Terminal block located on the rear of the motor, on the right hand side



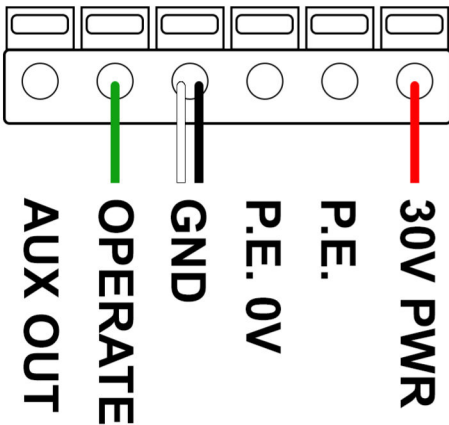
B&D Smart (SDO7)

Terminal block located on the rear of the motor, on the right hand side



B&D Roll-A-Pro (RDO1v4)

Terminal block located on the circuit board, left hand side

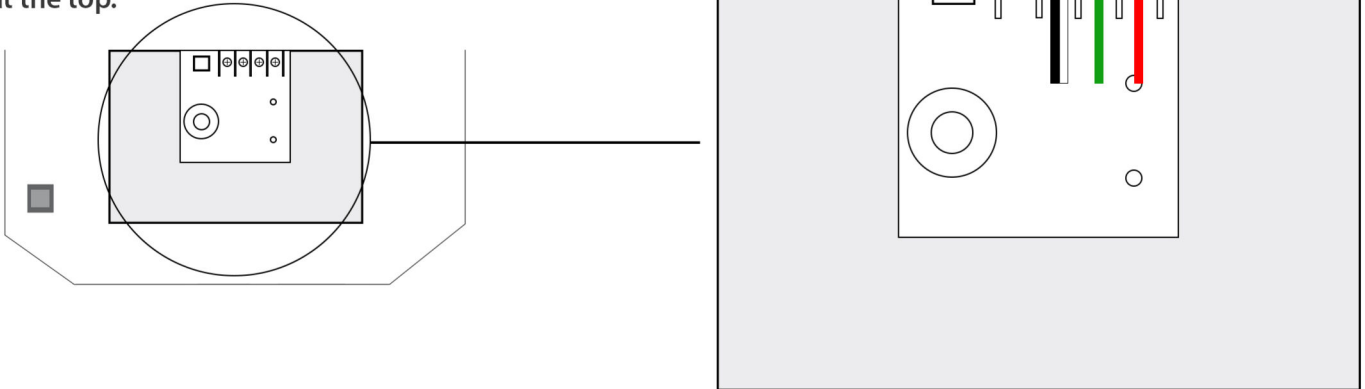


Universal Receiver

Wiring Guide

BOSS / Steel Line BOL4

Terminal blocks located on the rear of the unit,
at the top.

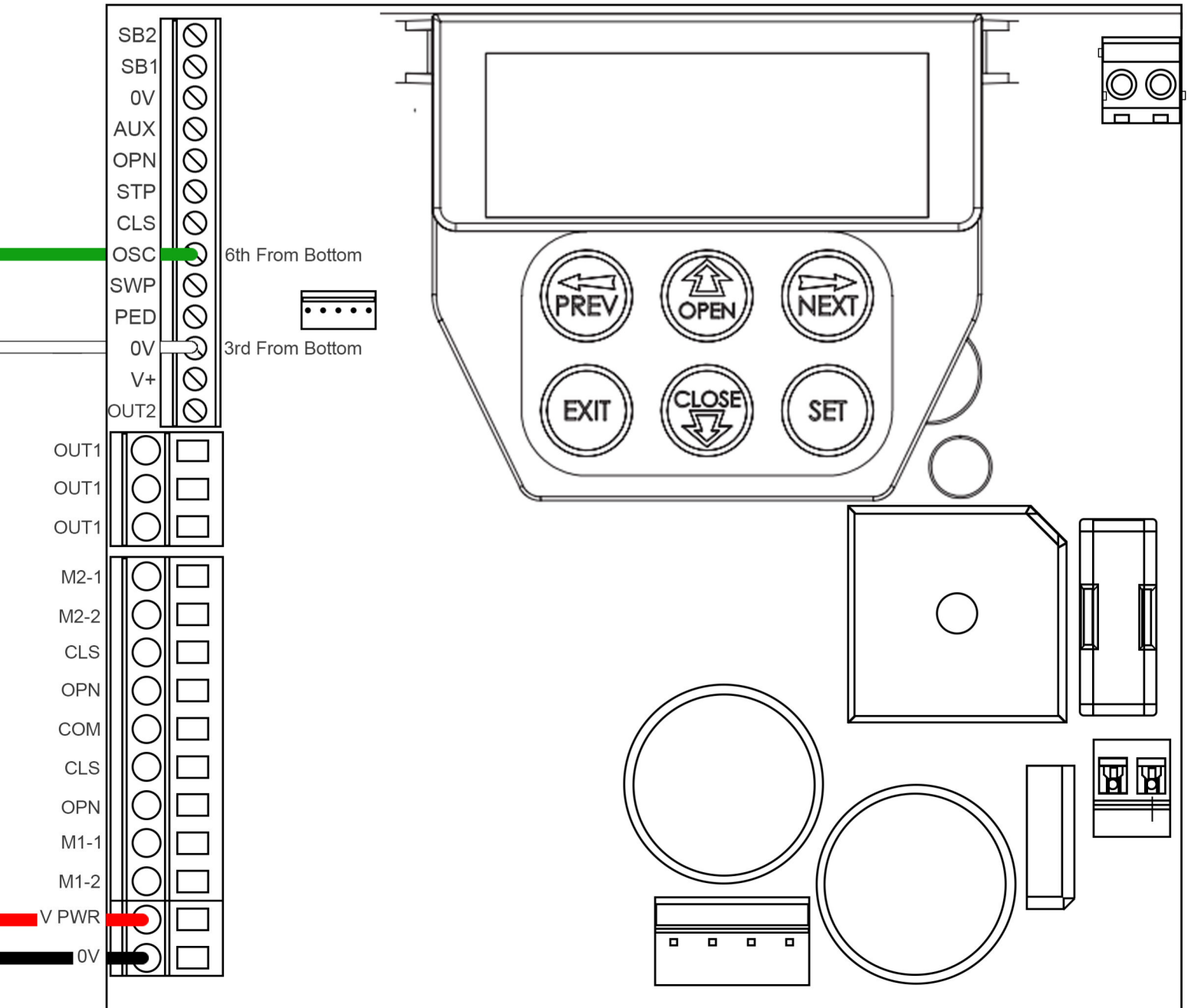


Universal Receiver

Wiring Guide

ATA DCB05 Gate Control Board

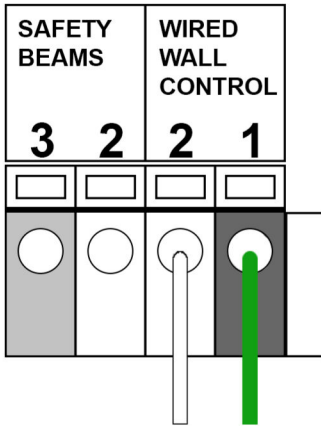
Circuit Board is located in the white box, attached by a cable to the SGO1 motor.



Universal Receiver Wiring Guide

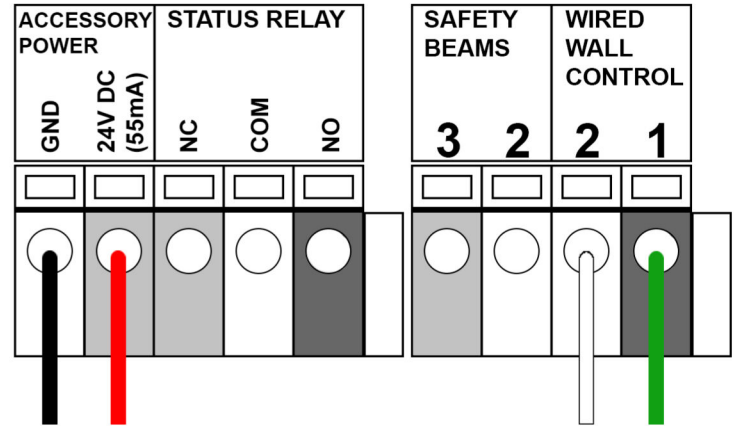
Merlin MR650 / MR650EVO

Terminal block located on the circuit board, bottom left. Ext power supply required.



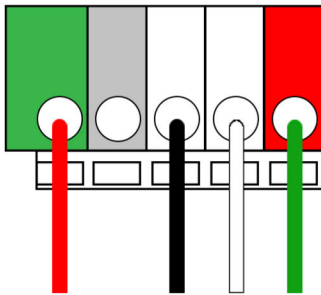
Merlin MR850 / MR850EVO

Terminal block located on the circuit board, bottom left.



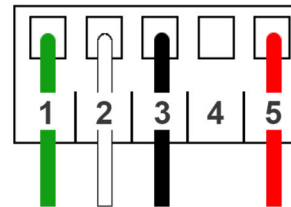
Merlin MR655MYQ

Terminal block located under light cover on front of motor.



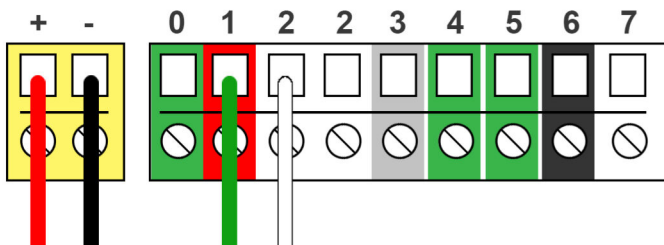
Merlin MR855MYQ

Terminal block located under cover located on bottom rear of motor. Cover can be removed.



Merlin MT60EVO, MT100EVO, MS65MYQ, MS105MYQ & MS125MYQ

Terminal block located under cover located on bottom rear of motor. Cover can be removed.

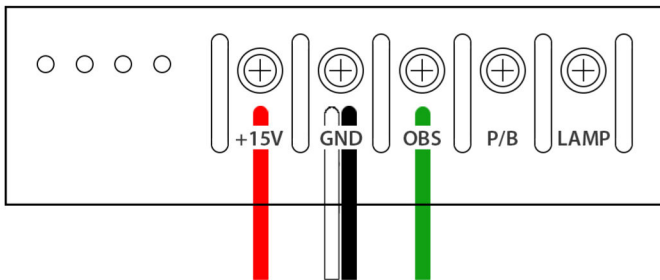


Universal Receiver

Wiring Guide

Merlin 430R / MR1000

Terminal block located under cover located on bottom rear of motor. Cover can be removed.

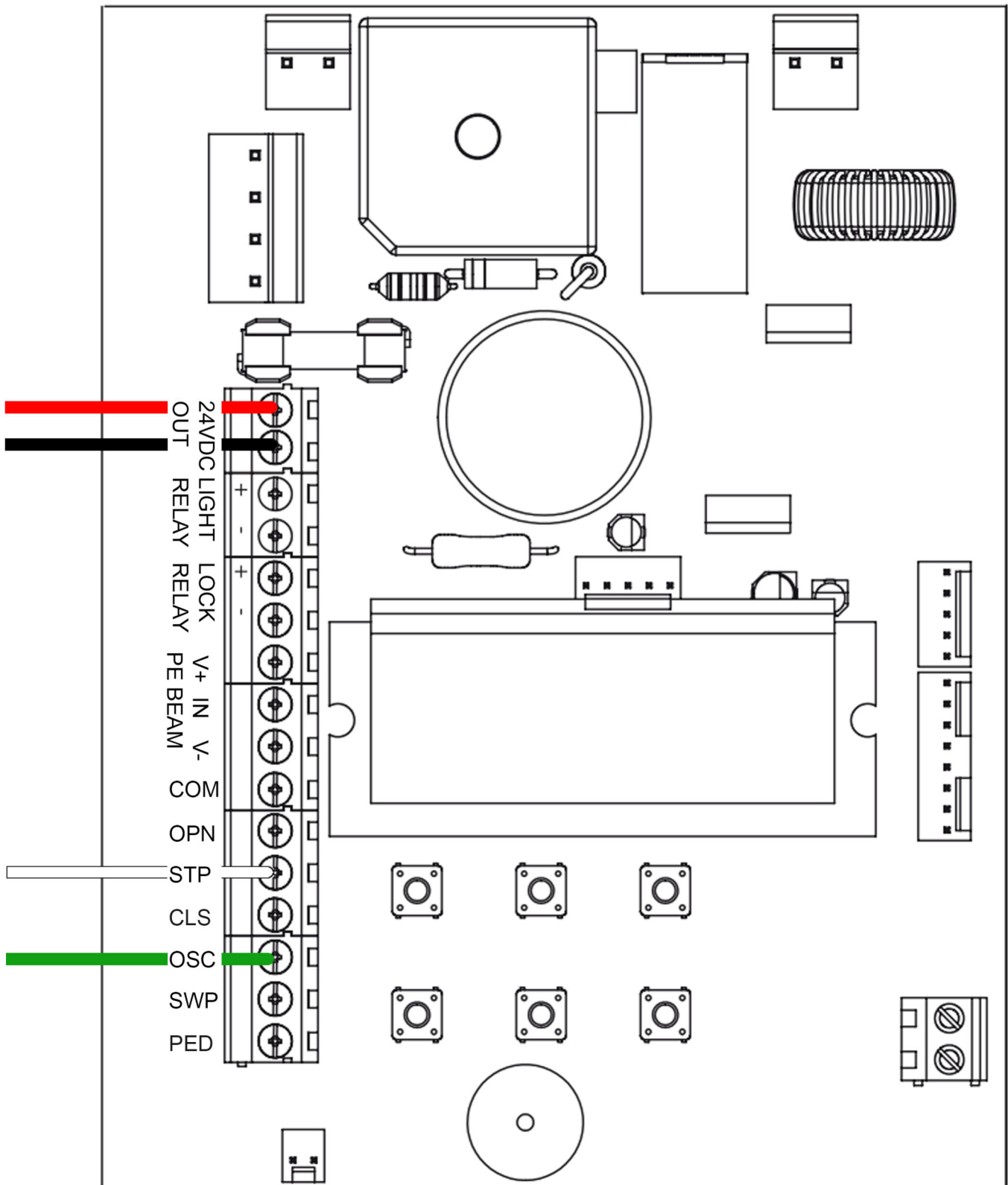


Universal Receiver

Wiring Guide

ATA NeoSlider 24v3

Circuit Board is located inside the motor housing.



Universal Receiver

Wiring Guide

ATA NeoSlider 500 / 800

Circuit Board is located inside the motor housing.

